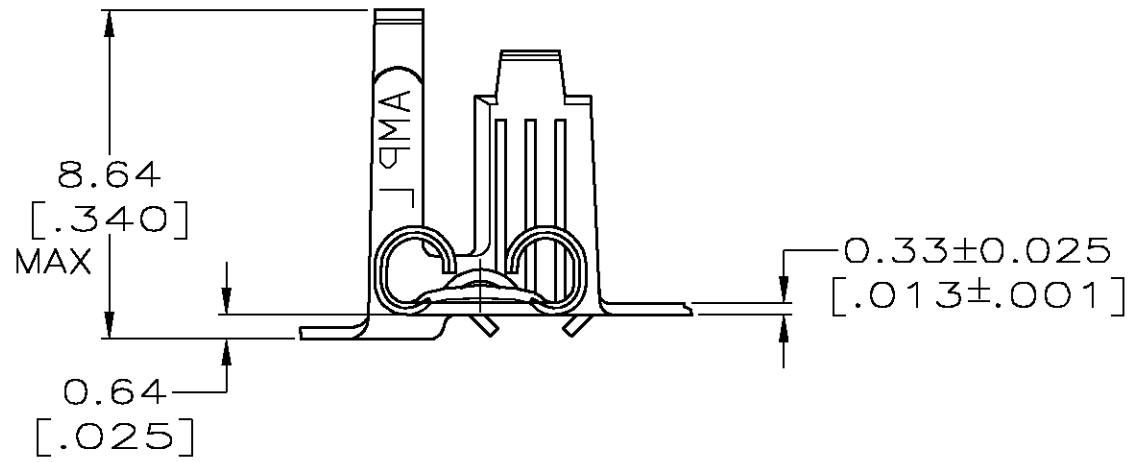
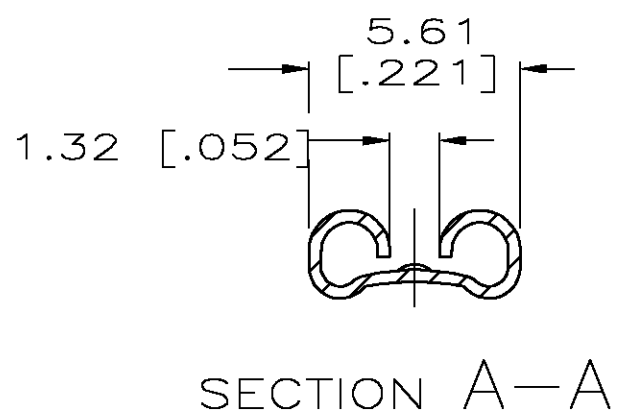
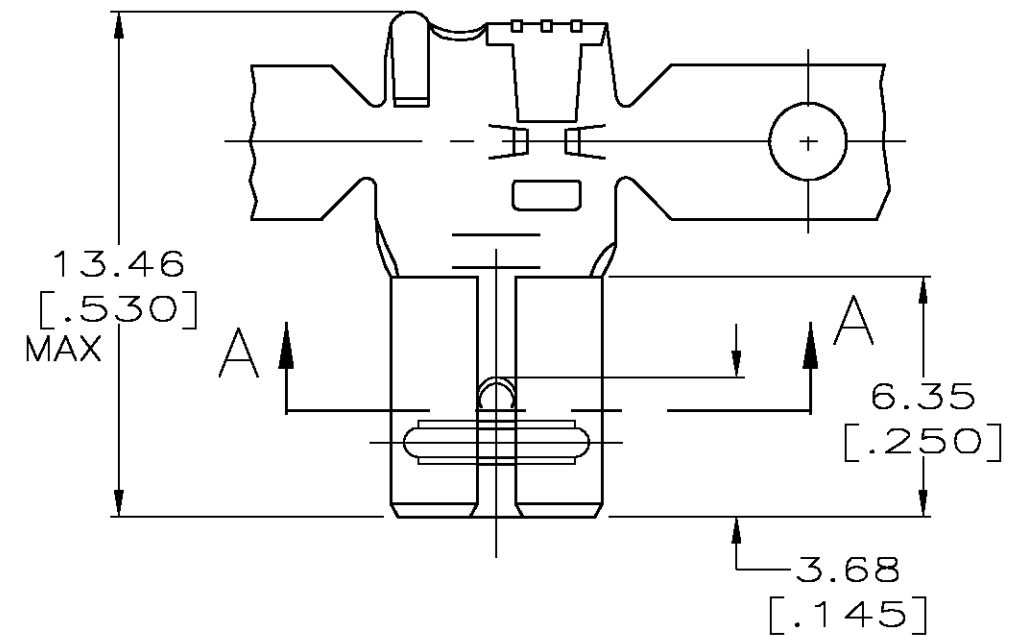


THIS DRAWING IS UNPUBLISHED. RELEASED FOR PUBLICATION
 © COPYRIGHT BY TYCO ELECTRONICS CORPORATION. ALL RIGHTS RESERVED.

LOC	DIST	REVISIONS			
P	LTR	DESCRIPTION	DATE	DWN	APVD
AF	50	F	REV PER 0G3A-0419-04	09AUG04	JR PD

- 1 CONTINUOUS STRIP ON REELS.
- 2 ACCEPTS [#20-#16] AWG. WIRE SIZE
- 3 INSULATION RANGE TO BE 2.79-4.32 [.110-.170] DIA
- 4 FEED IS 16.51±0.076 [.650±.003]



TIN	0.51±0.025	63476-2
-	[.020±.001]	63476-1
FINISH	MATING TAB THICKNESS	PART NO

THIS DRAWING IS A CONTROLLED DOCUMENT.		DWN JR RUTH 10/23/87	Tyco Electronics Corporation Harrisburg, Pa 17105-3608	
DIMENSIONS: MM [INCHES]		CHK G YETTER 10/23/87		
TOLERANCES UNLESS OTHERWISE SPECIFIED:		APVD R KUZO 10/23/87	NAME RECEPTACLE, LIF, FASTON, FLAG, 4.75 [.187] SERIES	
0 PLC ± - 1 PLC ± - 2 PLC ± 0.25 [.010] 3 PLC ± - 4 PLC ± - ANGLES ± -		PRODUCT SPEC -	SIZE A3	
MATERIAL H04 BRASS		FINISH SEE TABLE	CAGE CODE 00779	DRAWING NO C-63476
CUSTOMER DRAWING			RESTRICTED TO -	SCALE 5:1
			SHEET 1 OF 1	REV F